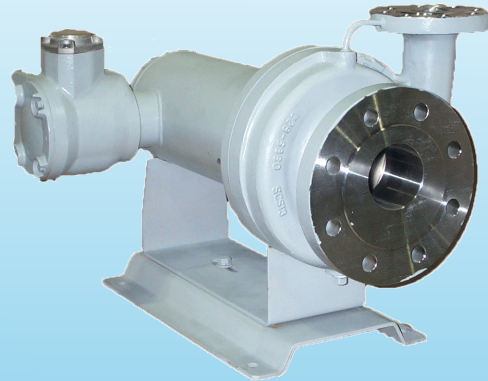


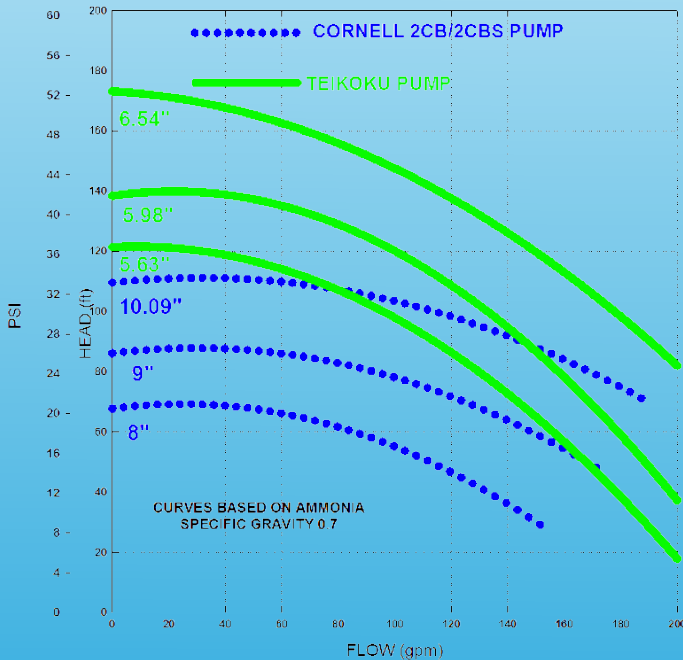
Sealless Retrofit Pump

the simple solution

Retrofit your Cornell Model 2CB/CBS/2HT to *Teikoku's* sealless solution and add secondary containment, eliminating seal maintenance costs and downtime.



HYDRAULIC PERFORMANCE COMPARISON
CORNELL 2CB/CBS VS. TEIKOKU R41-316F4AM-0510TS1-E



Ships immediately from Houston stock!

*Certified Performance & NPSHr Test;
Certified Hydrostatic, Pneumatic and Vacuum Leak Testing of
primary pressure boundary components.*

Replace your Cornell Model 2CB/CBS/2HT directly without modifying your piping or foundation

Secure your operation with a leakproof design that prevents ammonia escaping into the environment

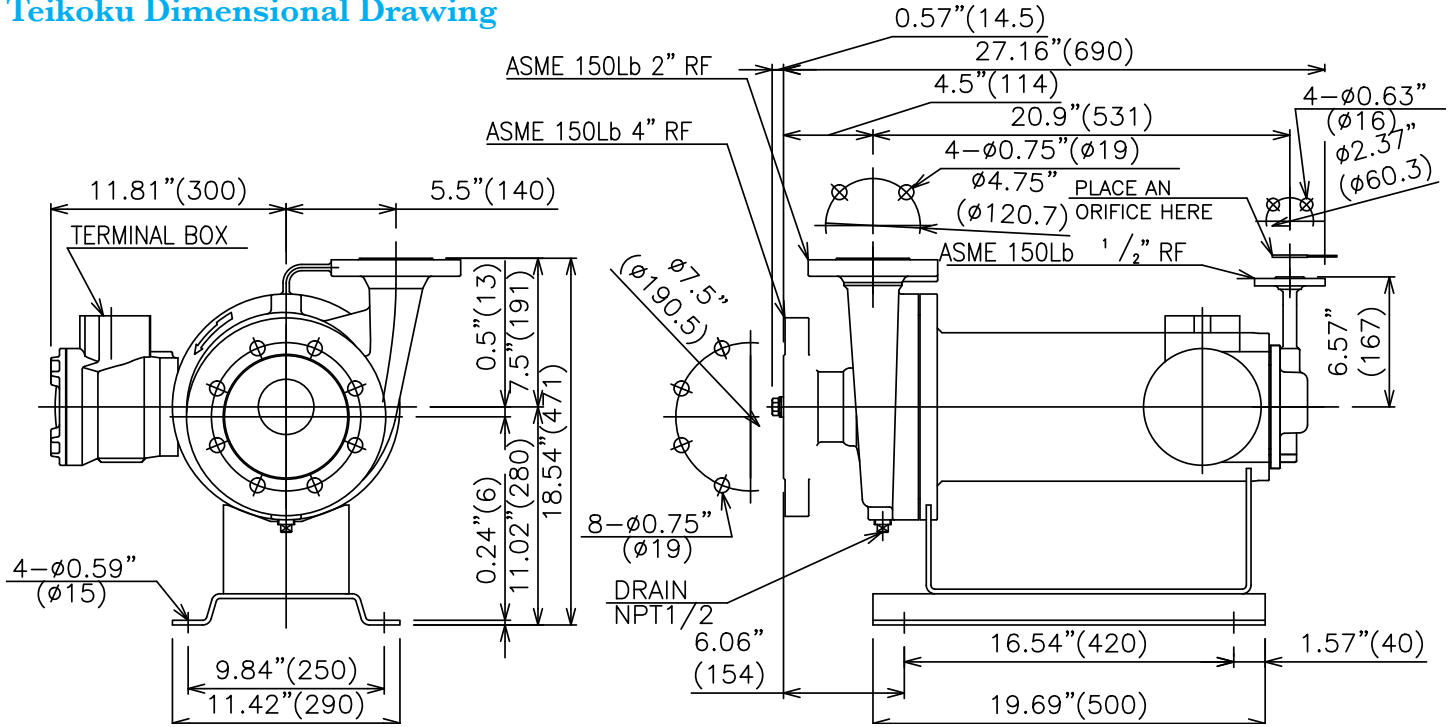
Monitor your bearing wear in real time with the TRG diagnostic system

Invest in the best corrosion-resistant 304 stainless steel and ANSI 150# flanges

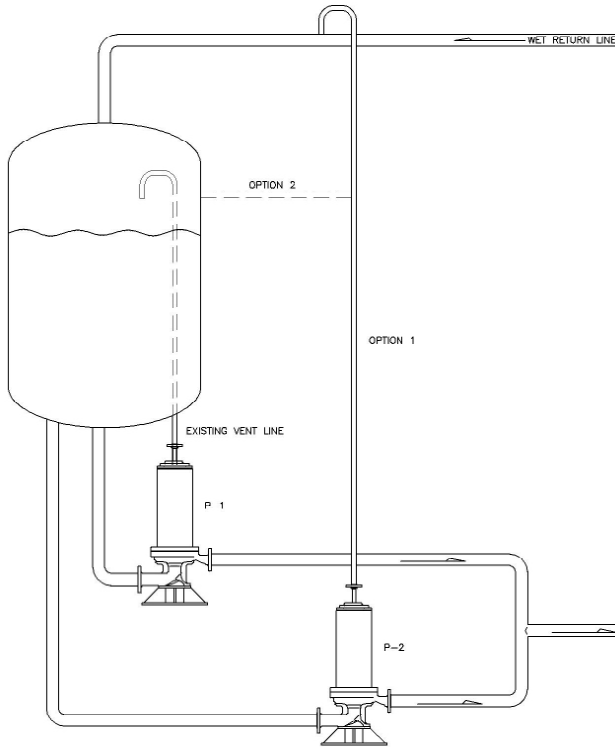
Allow for easy maintenance with the back pullout design and easily replaceable shaft sleeves, thrust washers and bearings

Provides low NPSHr

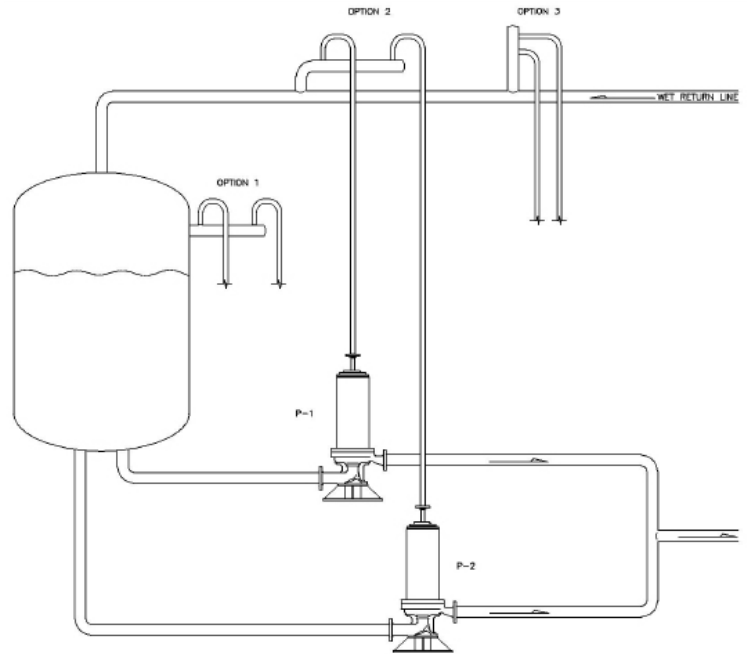
Teikoku Dimensional Drawing



Alternative Piping Solutions



System with existing pump vent line inside tank



System with NO existing pump vent line inside tank