

ENGINEERING DATA SHEET

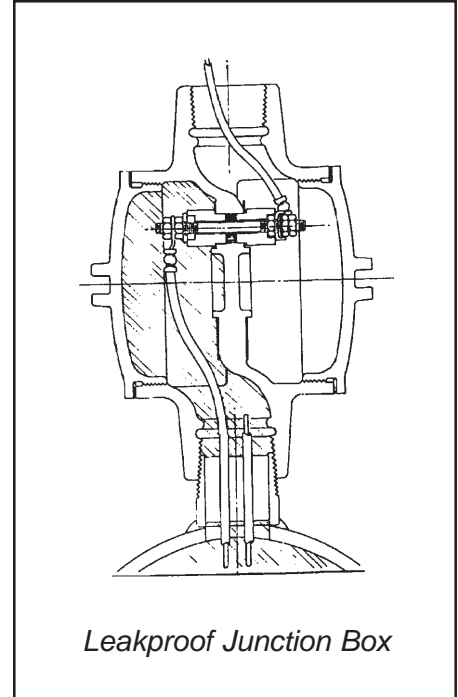
<i>Leakproof Junction Box</i>		
Date	Supersedes	No.
03/26/99	02/15/68	22E

The function of Chempump’s leakproof junction box is to prevent pumped fluid from seeping into the conduit line in the event of a stator liner failure. Leakproof junction boxes are recommended on all G Series pumps as these pumps have a potting compound which may allow the process fluid to enter the conduit line. The NC Series have a leakproof seal located on the stator to prevent fluid from entering the conduit line.

Chempump’s leakproof junction box consist of two sealed chambers. One chamber contains the motor lead wires, the other contains the terminal connections for the plant power supply. These two chambers are sealed from each other by a metal wall having five openings (3 power leads and 2 TCO wires). The five openings are sealed by compressing a viton elastomer between two Peek insulators. The cover plates have an O-Ring seal constructed of viton. (Other elastomers are available in the event that viton or Peek is not compatible with the process fluid) In the event of a stator liner failure the process fluid may enter the motor side of the junction but not the line side. The words “motor side” and “line side” are cast into the outside of the junction box to identify the two chambers.

Caution: Care should always be taken when removing the “motor side” connection box cover as process fluid may be present if a stator liner failure has occurred.

Offered as optional on all Chempumps to 300 psi, these junction boxes are wired for single voltage use. (Customer’s voltage requirement must be specified when ordering). Screw type connections permit easy field installation on existing stator assemblies. 56 frame G Series pumps have a 3/4” connection the 180 frame G Series and the 193 frame NC Series pumps have a 1-1/4” connection.



Chempump’s leakproof junction box has U.L. approval for Class 1, Group D, Division 1 and Class 1 group C & D, Division 1 areas.