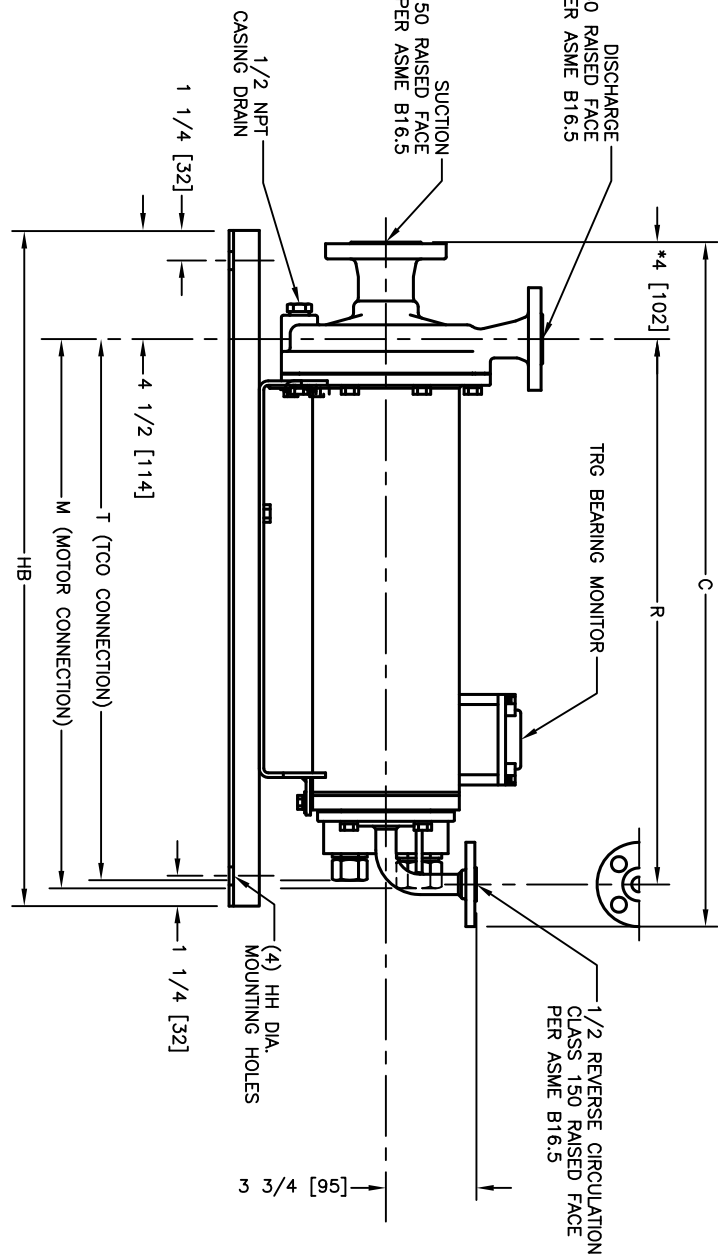
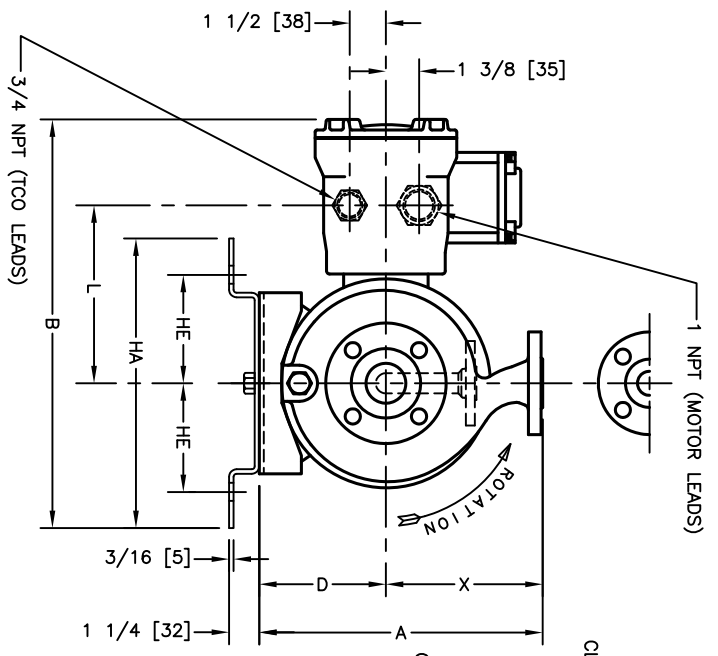


LIQUID END - MOTOR	SUCT	DISCH	A	B	C	D	E	F	G	H	I	J	K	L	M
0204S(F/G)1-3111 (AA-6)	1 1/2	1	11 3/4 [298]	16 5/8 [422]	20 [508]	5 1/4 [134]	12 [305]	22 [559]	4 1/2 [114]	3/4 [19]	7 [1781]	6 1/2 [165]			
0204S(F/G)1-3115 (AA-6)	1 1/2	1	11 3/4 [298]	16 5/8 [422]	22 [559]	5 1/4 [134]	12 [305]	22 [559]	4 1/2 [114]	3/4 [19]	7 [1781]	6 1/2 [165]			
0204S(F/G)1-3211 (AA-6)	1 1/2	1	11 3/4 [298]	17 1/8 [435]	24 1/8 [613]	5 1/4 [134]	12 [305]	22 [559]	4 1/2 [114]	3/4 [19]	7 1/2 [191]	6 1/2 [165]			
0204S(F/G)1-3215 (AA-6)	1 1/2	1	11 3/4 [298]	17 1/8 [435]	28 3/8 [721]	5 1/4 [134]	12 [305]	28 [711]	4 1/2 [114]	3/4 [19]	7 1/2 [191]	6 1/2 [165]			
0204T(F/G)1-3315 (AA-8)	1 1/2	1	11 3/4 [298]	20 7/8 [530]	32 5/8 [829]	5 1/4 [134]	18 [457]	32 [813]	7 1/2 [191]	1 [25]	8 1/4 [210]	6 1/2 [165]			
0408S(F/G)1-3211 (AB-6)	3	1 1/2	11 3/4 [298]	18 5/8 [473]	28 3/4 [730]	5 1/4 [134]	15 [381]	22 [559]	6 [152]	3/4 [19]	7 1/2 [191]	6 1/2 [165]			
0408S(F/G)1-3215 (AB-6)	3	1 1/2	11 3/4 [298]	18 5/8 [473]	28 3/4 [730]	5 1/4 [134]	15 [381]	28 [711]	6 [152]	3/4 [19]	7 1/2 [191]	6 1/2 [165]			
0408T(F/G)1-3311 (A60-8)	3	1 1/2	16 3/4 [425]	20 3/4 [527]	33 [838]	8 1/4 [210]	18 [457]	32 [813]	7 1/2 [191]	1 [25]	8 1/4 [210]	8 1/2 [216]			
0508S(F/G)1-3211 (A10-6)	3	2	16 1/2 [419]	20 1/8 [511]	24 5/8 [625]	8 1/4 [210]	18 [457]	28 [711]	7 1/2 [191]	1 [25]	7 1/2 [191]	8 1/4 [210]			
0508S(F/G)1-3215 (A10-6)	3	2	16 1/2 [419]	20 1/8 [511]	28 3/4 [730]	8 1/4 [210]	18 [457]	28 [711]	7 1/2 [191]	1 [25]	7 1/2 [191]	8 1/4 [210]			
0508T(F/G)1-3311 (A60-8)	3	2	17 3/4 [451]	20 7/8 [530]	29 [737]	8 1/4 [210]	18 [457]	32 [813]	7 1/2 [191]	1 [25]	8 1/4 [210]	9 1/2 [241]			
0508T(F/G)1-3315 (A60-8)	3	2	17 3/4 [451]	20 7/8 [530]	33 [838]	8 1/4 [210]	18 [457]	32 [813]	7 1/2 [191]	1 [25]	8 1/4 [210]	9 1/2 [241]			



LIQUID END - MOTOR	M	R	T	WT/LBS
0204S(F/G)1-3111 (AA-6)	15 1/8 [384]	14 1/4 [362]	14 3/4 [375]	118
0204S(F/G)1-3115 (AA-6)	17 1/8 [435]	16 1/4 [413]	16 3/4 [425]	128
0204S(F/G)1-3211 (AA-6)	18 5/8 [473]	18 3/8 [467]	18 1/4 [464]	150
0204S(F/G)1-3215 (AA-6)	22 7/8 [581]	22 5/8 [575]	22 1/2 [572]	194
0204T(F/G)1-3315 (AA-8)	27 1/8 [689]	26 7/8 [683]	26 3/4 [679]	282
0408S(F/G)1-3211 (AB-6)	18 7/8 [479]	18 5/8 [473]	18 1/2 [470]	150
0408S(F/G)1-3215 (AB-6)	23 1/8 [587]	22 7/8 [581]	22 3/4 [578]	205
0408T(F/G)1-3311 (A60-8)	23 1/4 [591]	23 [584]	22 7/8 [581]	249
0408T(F/G)1-3315 (A60-8)	27 1/2 [699]	27 1/4 [692]	27 1/8 [689]	293
0508S(F/G)1-3211 (A10-6)	19 1/8 [486]	18 7/8 [479]	18 3/4 [476]	161
0508S(F/G)1-3215 (A10-6)	23 1/4 [591]	23 [584]	22 7/8 [581]	216
0508T(F/G)1-3311 (A60-8)	23 1/2 [597]	23 1/4 [591]	23 1/8 [587]	260
0508T(F/G)1-3315 (A60-8)	27 1/2 [699]	27 1/4 [692]	27 1/8 [689]	304

NO. & REV. NO.


DATE

REVISIONS

DATE

BY

SCALE



CHEMPUMP
A DIVISION OF TEROKU USA INC.
WABASHVILLE, PA. 16801-0001

ISSUES OUTSTANDING

TOLERANCES TO BE MAINTAINED TO BE

FRACTIONS: 1/16, 1/8, 1/4, 1/2, 3/4, 1, 2, 3, 4, 5, 6, 8, 10, 12, 15, 20, 25, 30, 40, 50, 60, 75, 100, 125, 150, 200, 250, 300, 400, 500, 600, 750, 1000

ALL DIMENSIONS TO BE GIVEN UNLESS OTHERWISE SPECIFIED

ALL DIMENSIONS TO BE GIVEN UNLESS OTHERWISE SPECIFIED

ALL DIMENSIONS TO BE GIVEN UNLESS OTHERWISE SPECIFIED

DATE

BY

SCALE

DATE

BY

SCALE

OUTLINE LE SERIES
REVERSE CIRC
W/ANSI BASEPLATE

DRAWING NO. **C 65917**

REV. **0**